



CCR-2100 Constant Current Regulator SCR TYPE

COMPLIANCE

- ICAO • DOC 9157 ADM Part 5
- EASA • CS-ADR-DSN
- IEC • 61822
• 61820-3-2
- FAA • AC 150/5345-10
- AENA • DIN/DSEYN/PPT/002
- CAAC • MH/T 6010

FEATURES

- **IEC 61822**
Tested by BV and proved in conformity with IEC 61822
- **CE**
EU CE certified
- **32-BIT**
32-bit high speed processor providing microsecond speed in transaction
- Up to 6 brightness steps, user adjustable output current
- **1000M**
1000M high precision on-line insulation resistance measurement
- Lamp fault detection provides accurate detection of burnt lamps
- Modular design for easy installation and simplicity of maintenance
- Step-up transformer with combined taps
- 7 inches full color touch screen provides rich information
- Flexible parameter settings
- Lightning arrestors at both input and output sides
- Comprehensive over current and over voltage protection
- Various types of remote control interfaces
- **400+**
Choice of 400+ airports worldwide

TECHNICAL DATA

Operating Temperature • $-30^{\circ}\text{C}\sim+55^{\circ}\text{C}$

Output Power • 2.5~30kVA

Emission • IEC 61000-6-4

Protection Class • IP21

Efficiency • $\geq 92\%$

Remote Control • Redundant CAN/Modbus and multi-wire (DC24V/48V)

Humidity • 10%~95%

Tolerance • $\pm 0.1\text{A}$

Immunity • IEC 61000-6-2

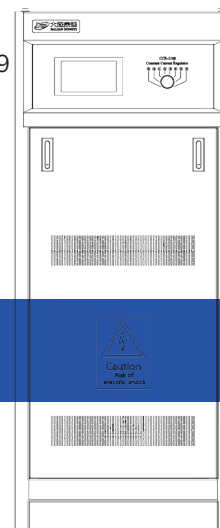
Input Voltage • AC 220/230/380/400V $\pm 10\%$ 50/60Hz

Open Circuit Output Voltage • < 1.3 times the rated output voltage

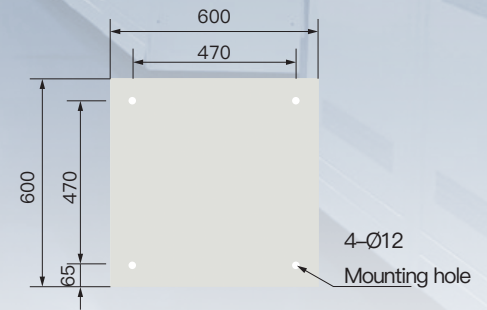
Altitude • $\leq 5000\text{m}$

Power Factor (nominal) • ≥ 0.9

Service Life • > 12 years



DIMENSIONS



ACCESSORIES

- ⊙ Series circuit CUTOFF
- ⊙ Circuit selector

PACKAGING

Power(kVA)	Dimensions (L x W x H, mm)		Net Weight (kg)		Gross Weight (kg)	
	CCR Cabinet	Control Module	CCR Cabinet	Control Module	CCR Cabinet	Control Module
2.5/5			166	8.6	204	10.5
7.5/10			190	8.6	228	10.5
15	730×800×1650	550×450×270	225	8.6	263	10.5
20			250	8.6	288	10.5
25			275	8.6	313	10.5
30			289	8.6	327	10.5

* Above data are reference values of one unit of standard CCR

ORDERING CODES

