

## ITO series 8" LED Inset Lights

- TE/IN-B Taxiway Edge
- TE/IN-Y Aircraft Stand Manoeuvring Guidance

### COMPLIANCE

- ICAO** • Annex 14 Volume I
- EASA** • CS-ADR-DSN
- IEC** • TS 61827
- FAA** • AC 150/5345-46
  - EB No. 67
- NATO** • STANAG 3316
- AENA** • DIN/DSEYN/PPT/019
- Canada** • TP 312
- Australia** • MOS 139
- CAAC** • AC-137-CA-2015-01-R1
  - AC-137-CA-2015-03-R1

### FEATURES

- Low protrusion of 6 mm above ground level
- Adaptable to all kinds of CCRs and ILCMS systems
- PWM digital regulation providing excellent consistency of chromaticity
- Aluminum alloy forged top cover with hardened surface and corrosion resistance treatment
- Built-in surge protection
- Specially designed fail open system suitable for strong magnetism, vibration and other environments

### TECHNICAL DATA



#### MECHANICAL

Mounting • 2 x M10 bolts      Static Load Resistance •  $\geq 18t$       Net Weight • 3.5kg      Gross Weight • 3.7kg

Packing Dimensions • 253mm (L) x 223mm (W) x 107mm (H)



#### ENVIRONMENTAL

Operating Temperature •  $-55^{\circ}\text{C} \sim +55^{\circ}\text{C}$       Storage Temperature •  $-55^{\circ}\text{C} \sim +85^{\circ}\text{C}$       Protection Class • IP68      Humidity • 0~100%

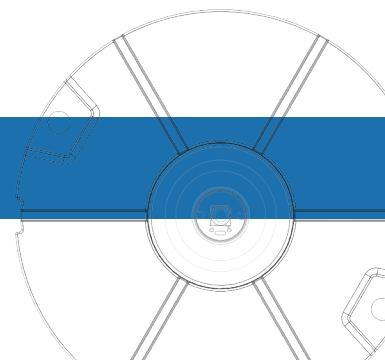


#### ELECTRICAL

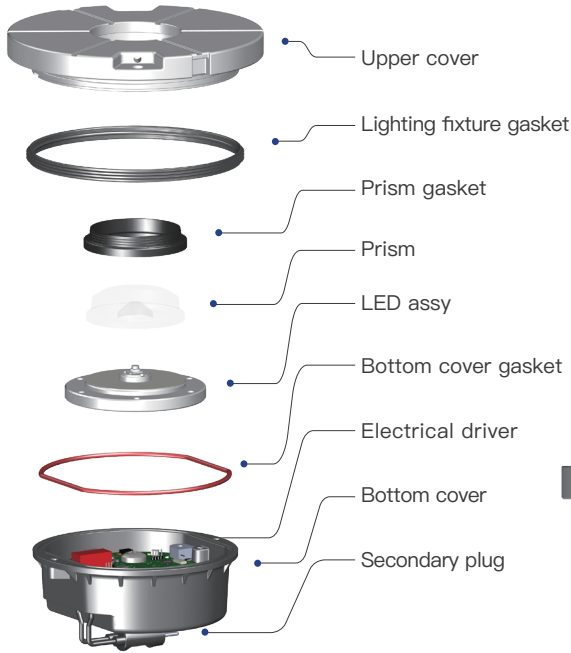
Connection • FAA L-823      Rated Input Current • 6.6A/2.2A      Power Consumption • 8VA

Power Factor •  $> 0.98$       Immunity • IEC 61000-6-2      Emission • IEC 61000-6-4

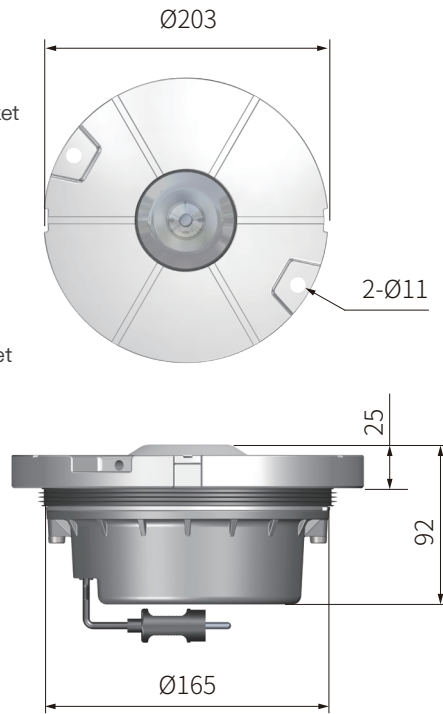
LED Lamp Life • Over 100,000 hours in typical operating conditions



## COMPONENTS



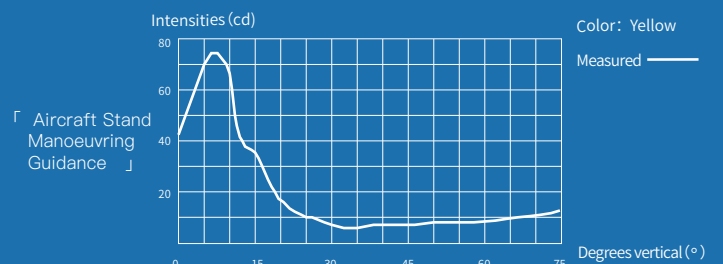
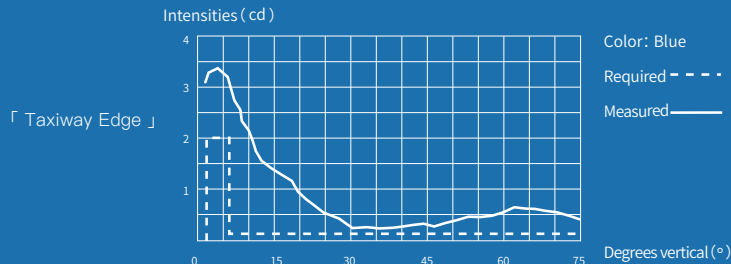
## DIMENSIONS



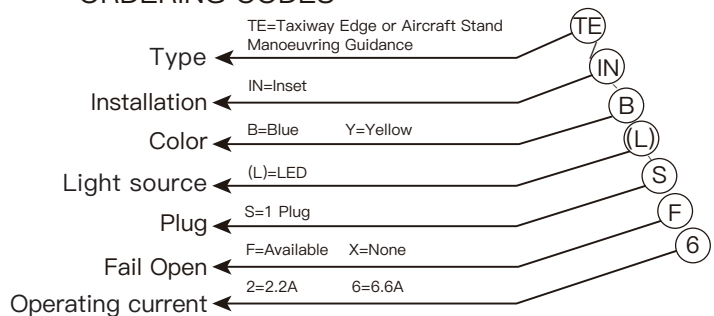
## ACCESSORIES

- ◎ 8 inches shallow base assy (bottom entry/side entry)
- ◎ 12 inches shallow base assy (bottom entry/side entry)
- ◎ 12 inches deep base assy
- ◎ 8-12 inches adapter ring assy
- ◎ L-823 receptacle
- ◎ 8 inches light fixture handle

## PHOTOMETRICS



## ORDERING CODES



\* Accessories should be ordered separately