



CCR-2100S Constant Current Regulator COMPACT IGBT TYPE

COMPLIANCE

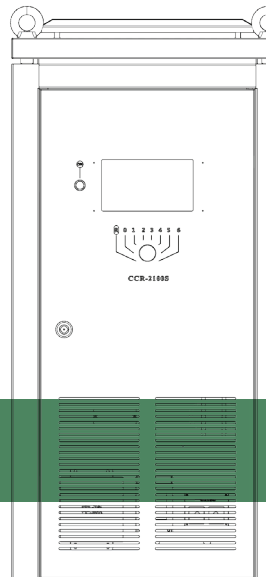
- ICAO • DOC 9157 ADM Part 5
- EASA • CS-ADR-DSN
- IEC • 61822
• 61820-3-2
- FAA • AC 150/5345-10
- AENA • DIN/DSEYN/PPT/002
- CAAC • MH/T 6010

FEATURES

- **IEC 61822**
Tested by BV and proved in conformity with IEC 61822
- **CE**
EU CE certified
- **IGBT**
IGBT high frequency PWM and pure sine wave output
- **32-BIT**
32-bit high speed processor providing microsecond speed in transaction
- Up to 6 brightness steps, user adjustable output current
- 100M high precision on-line insulation resistance measurement
- Lamp fault detection provides accurate detection of burnt lamps
- Natural cooling and no noise
- **0.99**
Power factor exceeding 0.99
- Perfectly suitable for loads of various characteristics
- Effectively increase life expectancy of light sources
- 7 inches full color touch screen provides rich information
- Flexible parameter settings
- Lightning protection at both input and output sides
- Comprehensive over current and over voltage protection
- Various types of remote control interfaces
- **100+**
Choice of 100+ airports worldwide

TECHNICAL DATA

- Operating Temperature • $-30^{\circ}\text{C} \sim +55^{\circ}\text{C}$
- Power Factor (nominal) • ≥ 0.99
- Emission • IEC 61000-6-4
- Protection Class • IP21
- Tolerance • $\pm 0.1\text{A}$
- Remote Control • Multi-wire (DC24V/48V), Redundant Modbus/Modbus-TCP, PROFIBUS and CAN
- Humidity • 10%-95%
- Open Circuit Output Voltage • < 1.3 times the rated output voltage
- Immunity • IEC 61000-6-2
- Input Voltage • AC 220/230/380/400V $\pm 10\%$ 50/60Hz
- Output Power • 2.5-10kVA (AC 380/400V) 2.5~7.5kVA (AC220/230V)
- Altitude • $\leq 5000\text{m}$
- Efficiency • $\geq 92\%$
- Service Life • > 12 years

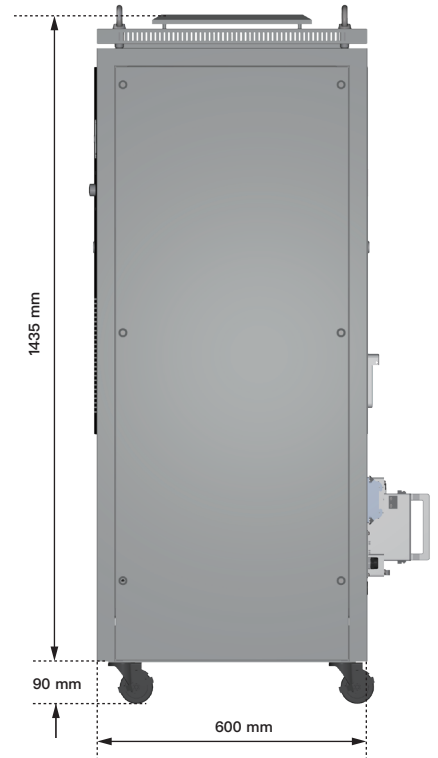
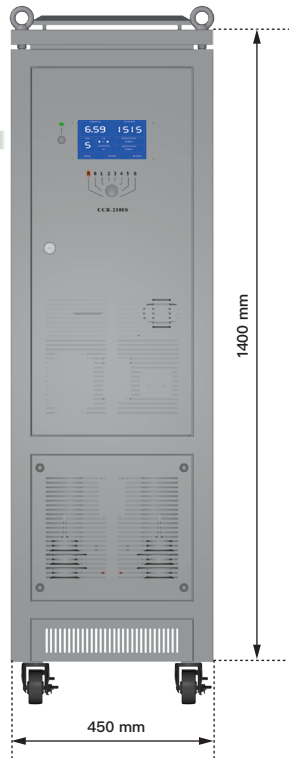


ACCESSORIES

DIMENSIONS



- ⊙ Lifting lugs
- ⊙ AENA remote control connector
- ⊙ Series circuit cut-out
- ⊙ Circuit selector
- ⊙ Casters

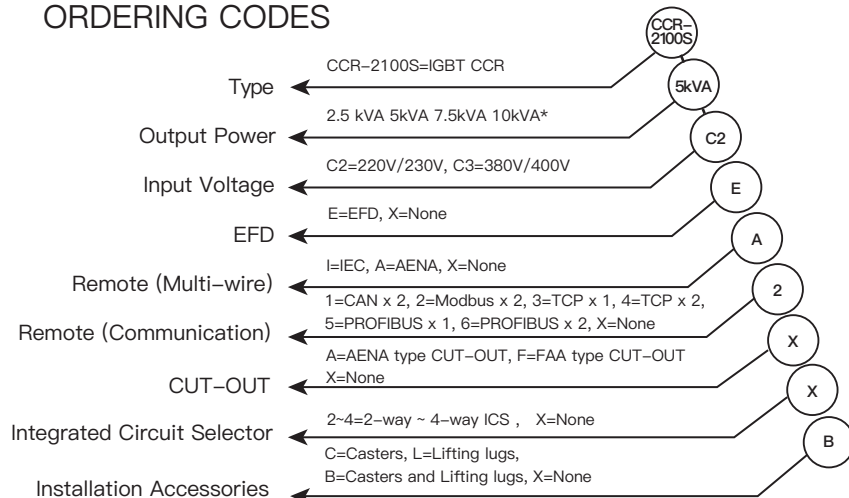


PACKAGING

Power (kVA)	Dimensions (L x W x H, mm)	Net Weight (kg)		Gross Weight (kg)	
		380V/400V	220V/230V	380V/400V	220V/230V
2.5	610 × 760 × 1650	149	149	175	175
5		178	178	206	206
7.5		204	204	230	230
10		212	/	238	/

* Above data are reference values of one unit of standard CCR

ORDERING CODES



* 10 kVA is only applicable for input voltage of 380/400V