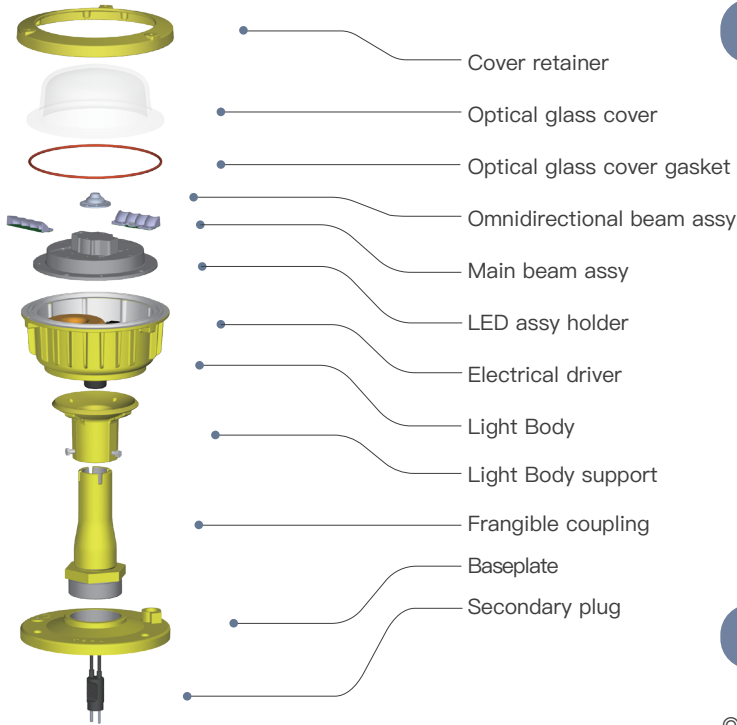
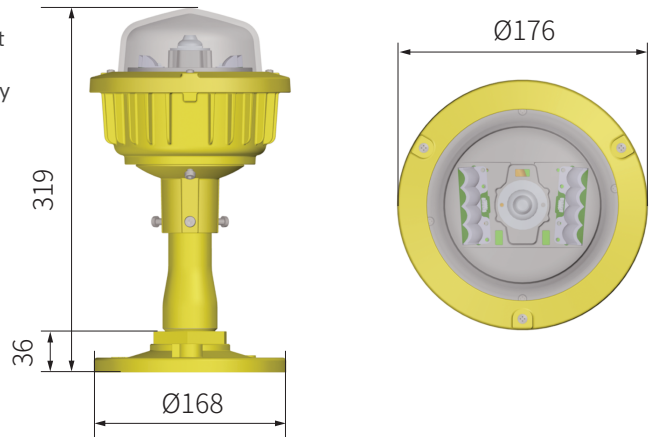




COMPONENTS



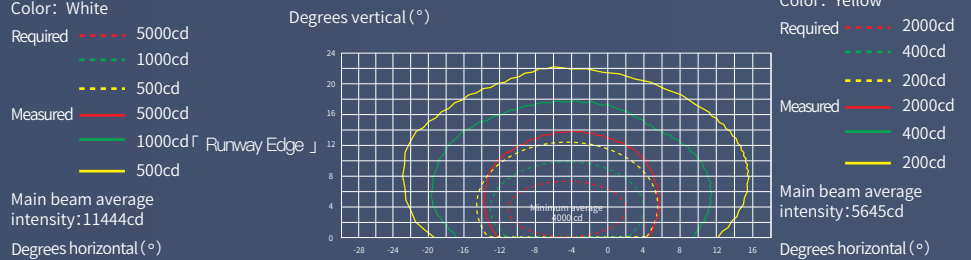
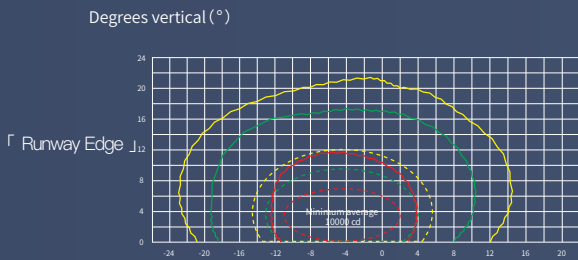
DIMENSIONS



ACCESSORIES

- ☉ Baseplate (168mm OD)
- ☉ Baseplate (240mm OD)
- ☉ Baseplate (300mm OD)
- ☉ 2-1 inches frangible coupling
- ☉ L-823 receptacle

PHOTOMETRICS



ORDERING CODES

- Type → RB=Runway Edge
THRE=Runway End/Threshold
- Installation → E=Elevated
- Color → WW, WY, YR, RY, WR, RW, WB, BW, YB, BY, RB, BR, GR, G
W=White, Y=Yellow, R=Red, G=Green, B=Blank
- Light source → (L)=LED
- Photometric → C=Circling guidance L=Toe-in left R=Toe-in right X=None
- Plug → S=1 Plug D=2 Plugs
- Fail open → F=Available X=None
- Operating current → 6=6.6A

AIRFIELD GROUND LIGHTING SOLUTIONS

Via Vittme del Razzismo, 11/13
 26817 San Martino in Strada (LO) – Italy
 Phone: +39 0371 605375
 Mail: info@dzs-europe.com
 Site: Dzs-europe.com

* Accessories should be ordered separately