

IEO series 8" LED Inset Lights

- SG/IN-B Taxiway Edge
- SG/IN-Y & SG/IN-R Aircraft Stand Manoeuvring Guidance

COMPLIANCE

- | | |
|-----------|------------------------|
| ICAO | • Annex 14 Volume I |
| | • DOC 9157 ADM PART 4 |
| EASA | • CS-ADR-DSN |
| IEC | • TS 61827 |
| FAA | • AC 150/5345-46 |
| | • EB No. 67 |
| NATO | • STANAG 3316 |
| AENA | • DIN/DSEYN/PPT/019 |
| Canada | • TP 312 |
| Australia | • MOS 139 |
| CAAC | • AC-137-CA-2015-01-R1 |
| | • AC-137-CA-2015-03-R1 |

FEATURES

- Aluminum alloy forged top cover protects prisms against towbar impact and high load from vehicles and aircrafts
- Low protrusion of 6 mm above ground level
- Adaptable to all kinds of CCRs and ILCMS systems
- PWM digital regulation providing excellent consistency of chromaticity
- Built-in surge protection
- Specially designed fail open system suitable for strong magnetism, vibration and other environments

TECHNICAL DATA



MECHANICAL

Mounting • 2 x M10 bolts Static Load Resistance • $\geq 20t$ Net Weight • 3.5kg Gross Weight • 3.7kg

Packing Dimensions • 253mm (L) x 223mm (W) x 107mm (H)



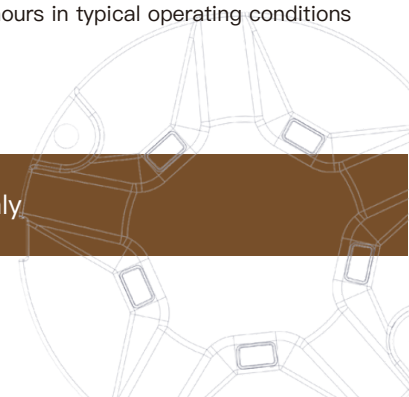
ENVIRONMENTAL

Operating Temperature • $-55^{\circ}C \sim +55^{\circ}C$ Storage Temperature • $-55^{\circ}C \sim +85^{\circ}C$ Protection Class • IP68 Humidity • 0~100%

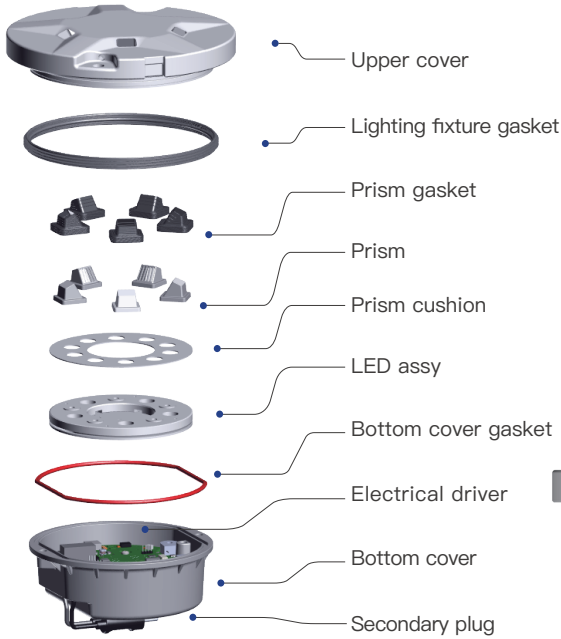


ELECTRICAL

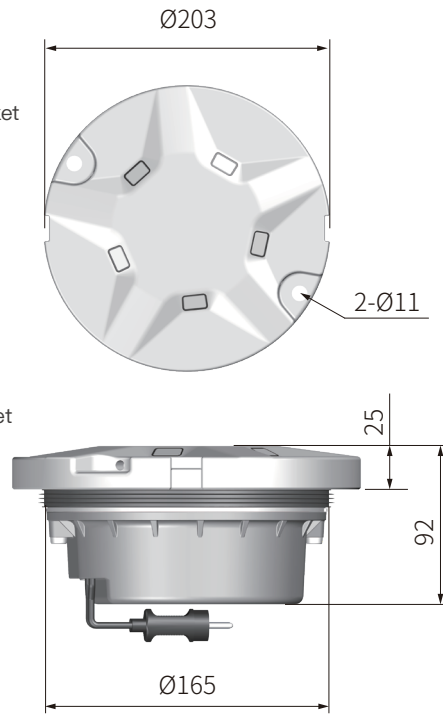
Connection • FAA L-823	Rated Input Current • 6.6A	LED Lamp Life • Over 100,000 hours in typical operating conditions
Power Factor • > 0.98	Immunity • IEC 61000-6-2	Emission • IEC 61000-6-4
Aircraft Stand Manoeuvring Guidance • 24VA		Taxiway Edge • 9VA



COMPONENTS



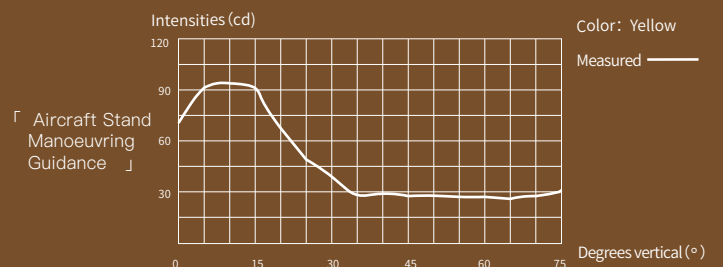
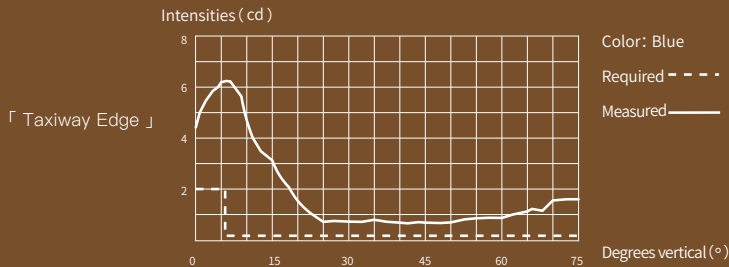
DIMENSIONS



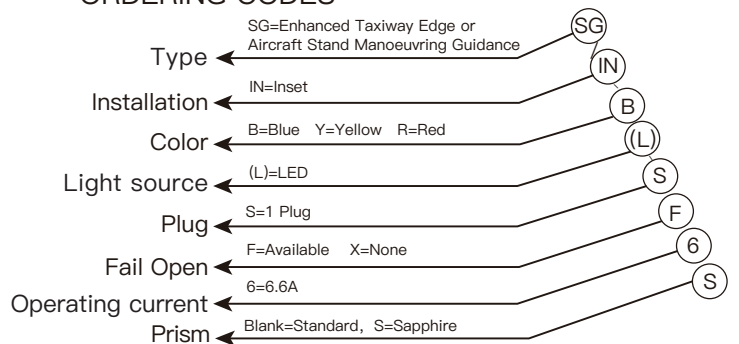
ACCESSORIES

- ⊙ 8 inches shallow base assy (bottom entry/side entry)
- ⊙ 12 inches shallow base assy (bottom entry/side entry)
- ⊙ 12 inches deep base assy
- ⊙ 8-12 inches adapter ring assy
- ⊙ L-823 receptacle
- ⊙ 8 inches light fixture handle

PHOTOMETRICS



ORDERING CODES



* Accessories should be ordered separately